

RUBO: SCAFFOLDS SINCE 1991!

Skyer system manufacturer is the company Rubo-Konstrukcje, part of the Rubo Group. The brand „RUBO,” is the story of research and development, which began in 1991 in Pomerania in the town Rumia, right next to the biggest Polish ports, shipyards and industrial centers in Gdansk and Gdynia. Rubo, is a private, family-run enterprise. The main activity Rubo have always been scaffolds: manufacturing their own systems, rental and assembly services. The consistent focus on quality, honest relationships with contractors and short response time to customer demands caused, that beginning from a small local company, a group of companies serving customers in the Polish and international market was established.



RUBO-KONSTRUKCJE Sp. z o.o.

Hutnicza 44 Street
81-061 Gdynia, Poland

tel.: +48 58 671 62 00
fax: +48 58 679 95 34
e-mail: konstrukcje@rubo.pl

www.ruboscaffolding.com



MODULAR SCAFFOLDING SYSTEM SKYER



POLISH PRODUCT WORLD QUALITY

Manufacturing of components has been certified for compliance with ISO 9001 and ISO 3834-2. The strength parameters of the system components are confirmed by research and the system itself has obtained a „B“- safety sign. Skyer complies with EN 12810 and EN 12811 standards.



RUBO: PIGR

RUBO is a founding member of the Polish Economic Chamber of Scaffolding (PIGR)



SKYER: ACHIEVE YOUR GOAL!

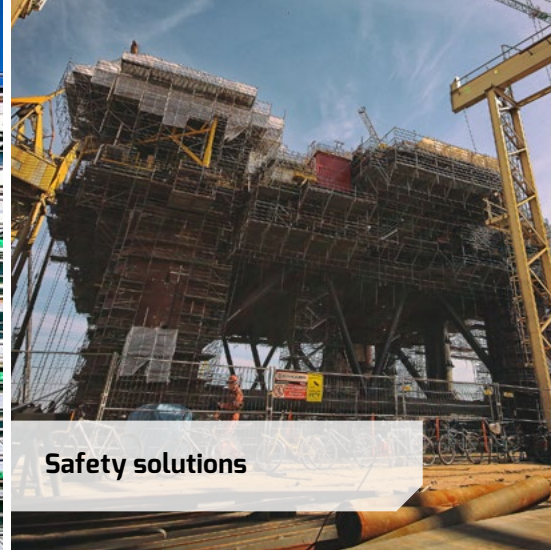
Second place in the competition „Scaffold of the Year 2013“ - for suspended scaffolds based on a system Skyer.



Rusztowania
nr 1/2014 (34)



A variety of applications



Safety solutions



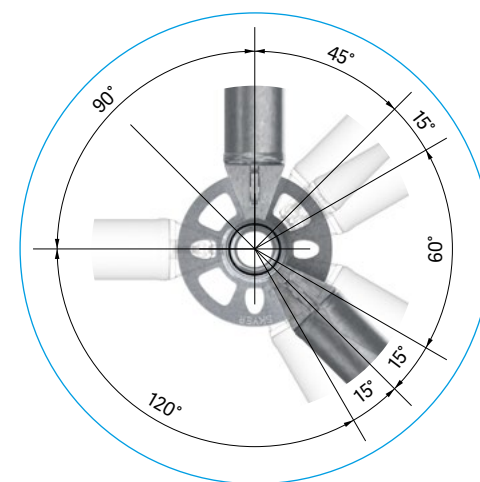
Modular and spatial scaffolding



Certified production processes and raw materials

SYSTEM SKYER: MODULAR SCAFFOLDING

The Skyer scaffolding system is composed of horizontal and vertical elements, connected by wedge locks. Support standards of the scaffold are endowed with rosettes, welded double-side on the circumference, at the intervals of 50 cm. Due to openings in the rosettes, connection at a right angle, at an acute angle and at an obtuse angle are possible. Steel components of the modular scaffolding Skyer are protected against corrosion by galvanizing and wooden elements by impregnation. In combination with a variety of additional components and accessories, using the system Skyer facilitates in a maximum way to reach hard to reachable places and the implementation of demanding structures.



COMPLEMENTARY PRODUCTS

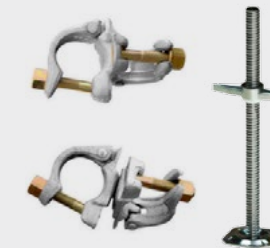
Weather protection

- roofing systems
- keder tarps: standard and customer defined dimension (high grammage, min. 600 g / m²)
- light thin tarpaulins (transparent, low grammage: min. 150 g / m²)
- accessories



Universal components

- couplers
- girders
- anchors
- base jacks



WHY SKYER?

BY CHOOSING THE SCAFFOLDING SKYER YOU CHOOSE:

- Safety, durability, versatility
- A multitude of applications
- Quick and easy assembly
- High durability of materials
- Certified production processes and raw materials
- Compliant with European standards
- Proven solution
- Manufactured in Poland

skyer®

